



PDF Compressor Free Version

USER MANUAL

**Klipsch**<sup>®</sup>  
REFERENCE<sup>™</sup>  
WIRELESS

PDF Compressor Free Version

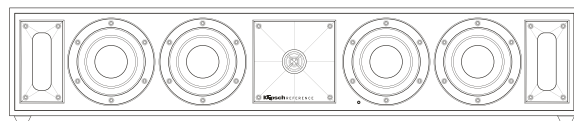


## REFERENCE WIRELESS

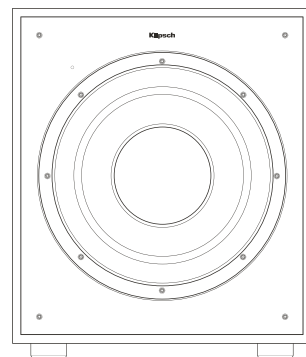
PDF Compressor Free Version



RW-51M



RW-34C

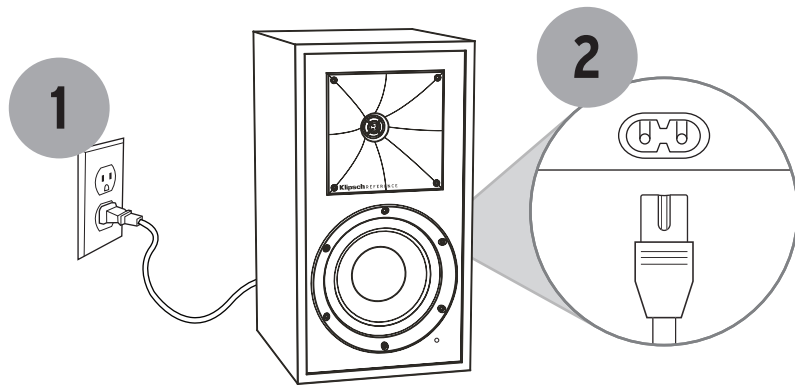


RW-100SW

# SETUP

PDF Compressor Free Version

INSTALLATION • CONFIGURACIÓN • INSTALLATION • APPONTAMENTO • INSTALAÇÃO • 设置 • التركيب

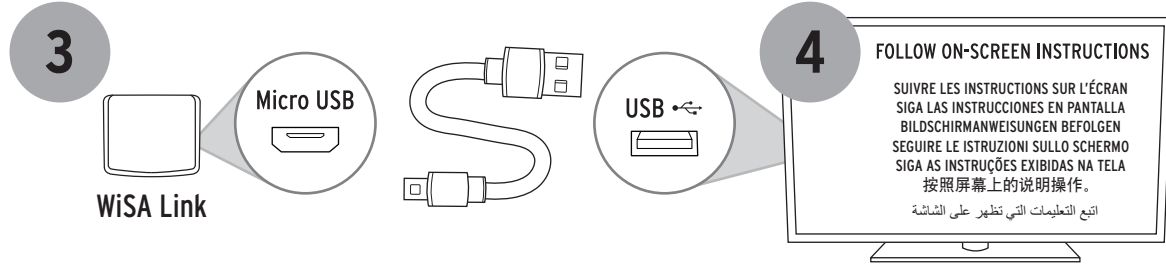


## REPEAT FOR EVERY SPEAKER

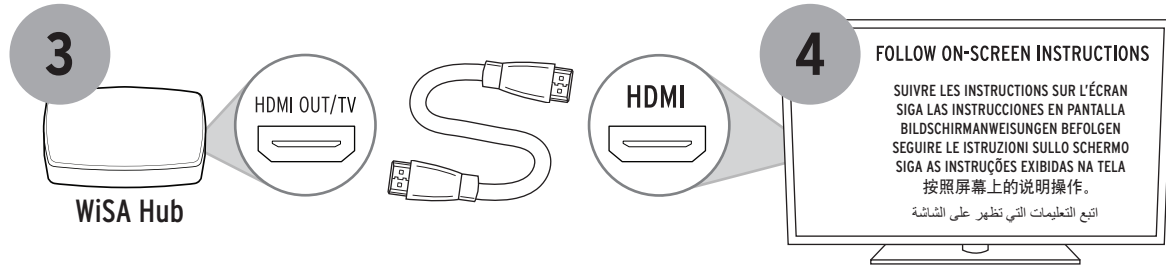
RÉPÉTEZ POUR CHAQUE HAUT-PARLEUR  
REPETIR PARA CADA ALTAVOZ  
FÜR JEDEN LAUTSPRECHER WIEDERHOLEN  
RIPETERE PER OGNI ALTOPARLANTE  
REPETIR PARA CADA CAIXA ACÚSTICA  
对于每只音箱，都重复此步骤。  
كرر لكل مكبرات الصوت

<p><b>L</b> DEL CONTINUE = CONNECTÉ INDICADOR LED FIJO = CONECTADO LED DAUERHAFT = VERBUNDEN LED ACCESO A LUCE FISSA = COLLEGATO LED ACESO = CONECTADO LED 常亮 = 已连接 مؤشر LED ثابت = متصل</p>	<p><b>L</b> DEL CLIGNOTE = NON CONNECTÉ INDICADOR LED DESTELLANDO = NO CONECTADO LED BLINKT = NICHT VERBUNDEN LED LAMPEGGIANTE = NON COLLEGATO LED INTERMITENTE = NÃO CONECTADO LED 闪烁 = 未连接 مؤشر LED وامض = غير متصل</p>	<p><b>L</b> DEL ÉTEINTE = WISA Hub / Link DÉSACTIVÉ INDICADOR LED APAGADO = WISA Hub / Link APAGADO LED AUS = WISA Hub / Link AUS LED SPENTO = WISA Hub / Link DISATTIVATO LED APAGADO = WISA Hub / Link DESLIGADO LED 关闭 = WISA Hub / Link 关闭 مؤشر LED مطفأ = مركز التحكم عالي الدقة متوقف عن التشغيل</p>
--	---	--

E

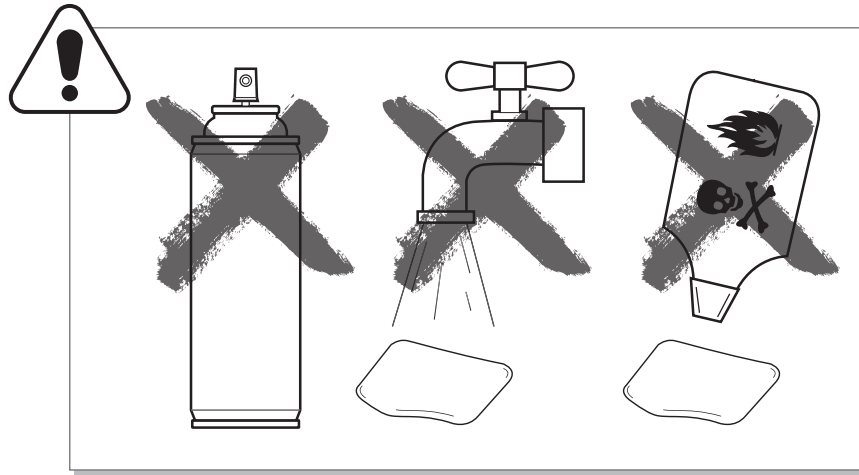
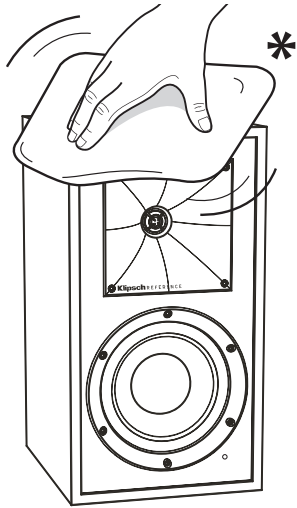


OR - OU - O - ODER - O - OU - 要么 - أو



## CARE AND CLEANING

ENTRETIEN ET NETTOYAGE • CUIDADO Y LIMPIEZA • PFLEGE UND REINIGUNG • CURA E PULIZIA • CUIDADOS E LIMPEZA • 保养与清洁 • العناية والتنظيف



**\* USE MICROFIBER CLOTHS ONLY**

\*Utilisez des chiffons en microfibres seulement

\*Use solamente paños de microfibra

\*Nur Mikrofasertücher verwenden

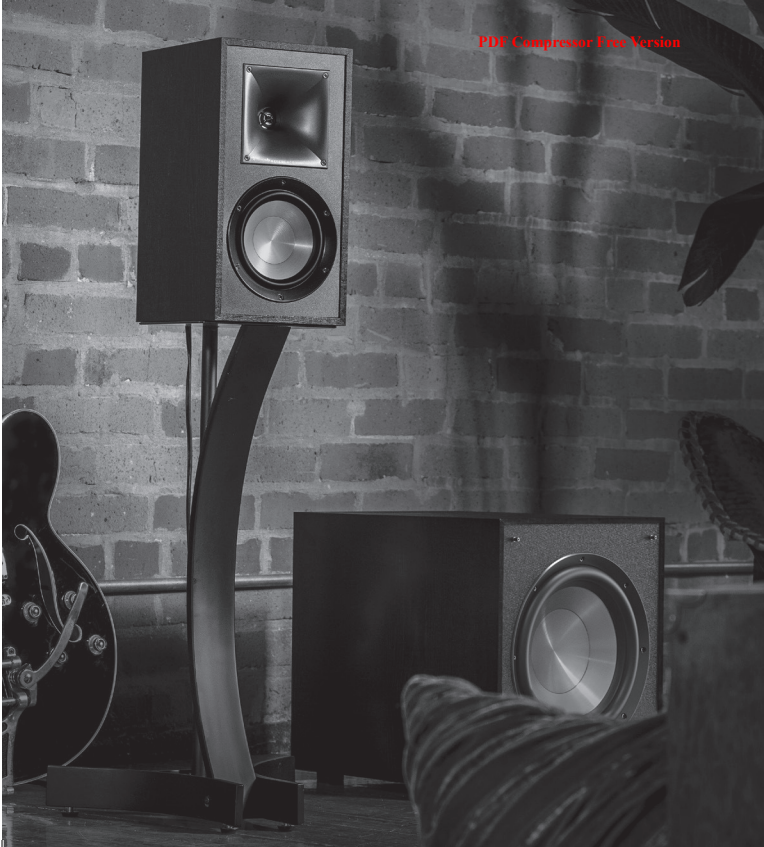
\*Usare solo panni in microfibra

\*Use somente tecidos de microfibra

\*仅限使用超细纤维布

\* استخدم قطع قماش من الألياف المايكروفايبر فقط

PDF Compressor Free Version



For more in-depth information  
and troubleshooting instructions visit  
[KLIPSCH.COM/SUPPORT/REFERENCE-WIRELESS](https://www.klipsch.com/support/reference-wireless)

Pour plus d'informations et des instructions de dépannage détaillées, consultez  
[klipsch.com/support/reference-wireless](https://www.klipsch.com/support/reference-wireless)

Hay información más detallada e instrucciones de detección y reparación de averías en  
[klipsch.com/support/reference-wireless](https://www.klipsch.com/support/reference-wireless)

Detailliertere Anweisungen und Hinweise zur Problembhebung finden Sie unter  
[klipsch.com/support/reference-wireless](https://www.klipsch.com/support/reference-wireless)

Per informazioni più dettagliate e istruzioni per la soluzione dei problemi, visitare  
[klipsch.com/support/reference-wireless](https://www.klipsch.com/support/reference-wireless)

Para obter informações mais detalhadas e instruções para solucionar problemas, visite o  
[klipsch.com/support/reference-wireless](https://www.klipsch.com/support/reference-wireless)

欲了解更详细的信息和故障排除说明，请访问  
[klipsch.com/support/reference-wireless](https://www.klipsch.com/support/reference-wireless)。

لمزيد من المعلومات المستفيضة وتعليمات تحري الخلل وإصلاحه، تفضل بزيارة  
[klipsch.com/support/reference-wireless](https://www.klipsch.com/support/reference-wireless)

PDF Compressor Free Version



# Klipsch®

## KEEPERS OF THE SOUND®

3502 WOODVIEW TRACE, INDIANAPOLIS, IN, USA

[KLIPSCH.COM](http://KLIPSCH.COM)

V01 - 010319



KLIPSCH CORPORATE OFFICE: 3502 WOODVIEW TRACE, INDIANAPOLIS, IN USA 46268-1104 A WHOLLY-OWNED SUBSIDIARY OF VOXX INTERNATIONAL CORPORATION KLIPSCH.COM 1-800-KLIPSCH ©2018 KLIPSCH GROUP, INC. ALL RIGHTS RESERVED. KLIPSCH AND KEEPERS OF THE SOUND ARE REGISTERED TRADEMARKS OF KLIPSCH GROUP, INC. IN THE USA AND OTHER COUNTRIES. ENGINEERED BY KLIPSCH GROUP, INC., USA. MADE IN CHINA. KLIPSCH GROUP EUROPE B.V., KAPTEYNSTRAAT 1, 2201 BB NOORDWIJK, THE NETHERLANDS.